



Plate Style Magnetic Separators

Plate Magnets For Angled Chute Applications

TRAMP METAL

TG-01A

Flush Face (FF) Plate Magnets are designed for above-the-flow applications. The Flush Face model is available in Ceramic and Rare Earth designs to lift ferrous metal out of the product flow, protecting downstream processing equipment and product purity.

Exposed Pole (EP) Plate Magnets are designed for above or below the flow applications. The two 400 series (magnetic stainless steel) exposed poles provide added protection from wash-off without impeding the product flow. Exposed Pole models are ideal for low volume chute installations with either Ceramic or Rare Earth magnetic circuits.

Spout Style (SM) Plate Magnets feature dual diverters and an exposed pole to provide maximum tramp metal separation a Magnet Capacity and superior wash-off protection for high volume below-the-flow chute applications. The diverters protect collected metal from being washed back into the product flow while preventing product degradation by eliminating contact with the lower chute edge. Several strengths are available in Ceramic and Rare Earth designs to meet the requirements of difficult applications.

In-Line Chute Separators - IMI plate magnets can be provided with engineered chutes to fit directly into your processing lines. Customer specified inlet and outlet requirements can be accommodated using custom designed housings, transitions (round or rectangular), flanges and more. Housings and chutes are available for single plate magnets, multiple plate magnets and for Manual, EZ or Self-Cleaning models.

EZ-Clean and Self Cleaning Spout Magnets are designed to simplify the cleaning process and to increase processing line efficiency. These cleaning options feature spout faced stripper pans that swing out of the product flow and away from the magnet to release collected metal. The EZ-Clean unit is operated manually by unclamping the magnet and pulling the assembly into the open position. The Self-Cleaning model operates on the same principle but uses either pneumatic cylinders or electric actuators to open and close the plate magnet at user specified intervals



OPTIONS:

- Custom designs and mounting
- Clamping, lifting and counterweight devices
- Food Grade Finish
- Wear treatment
- Filled face between poles (EP models only)
- EZ-Clean models with stripper pan face cover
- Self-Cleaning Spout Magnets
- Replaceable faceplates

Key Markets

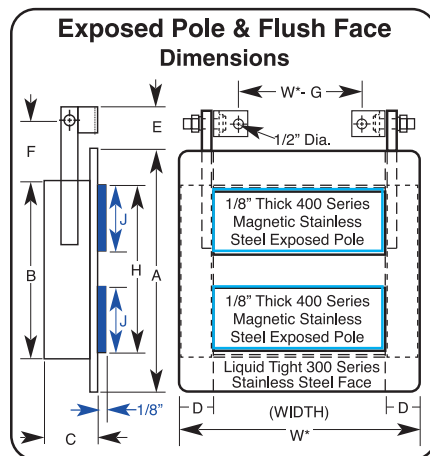
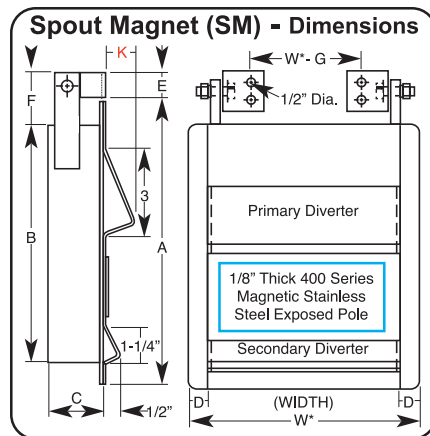
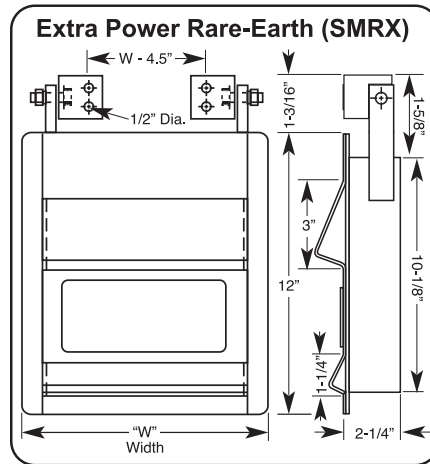
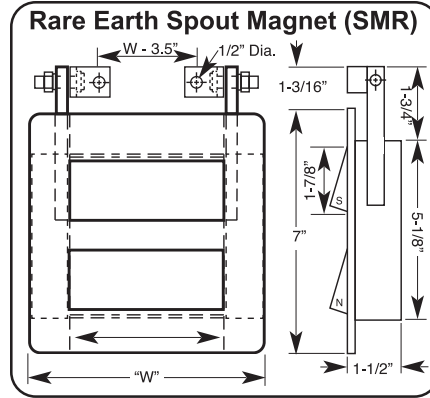
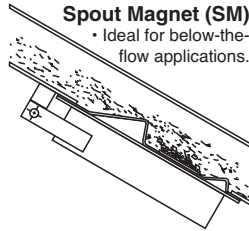
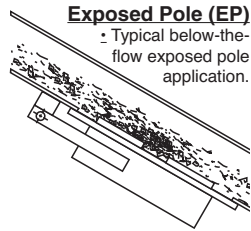
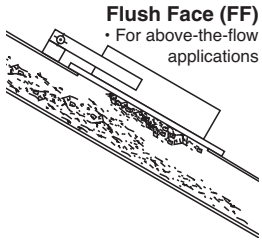
Magnets for Unimpeded Product Flows or dry to slight moisture content; i.e. powders, granular, leafy, etc...

Related Products

Hump Magnets, Inline Separators, Extractor Magnets, Split-Flow Magnets

Plate Style Magnetic Separators

Drawings and Specifications For Plate Magnets

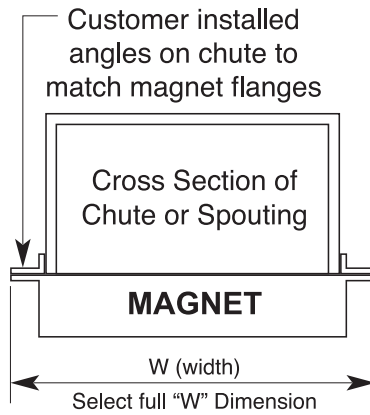


RARE EARTH SPOUT MAGNETS:

Ideal for separation of fine and weakly magnetic particles. Powerful magnetic field reduces wash-off. Compact design overcomes application issues often found with heavier ceramic units.

IMI's high intensity plate magnets feature durable welded stainless steel construction and heavy duty hinges for easy cleaning. The magnet's face is liquid tight with magnetic stainless steel poles.

OPTIMUM CHUTE INSTALLATION



MAGNET CAPACITY		REACH-OUT	
Ceramic		Ceramic	
50 Series	Magnet Width x 83.25 = CF/H	50 Series	1"
100 Series	Magnet Width x 166.75 = CF/H	100 Series	2"
200 Series	Magnet Width x 250.00 = CF/H	200 Series	3"
300 Series	Magnet Width x 416.75 = CF/H	300 Series	5"
500 Series	Magnet Width x 500.00 = CF/H	500 Series	6"
800 Series	Magnet Width x 583.25 = CF/H	800 Series	7"
1000 Series	Magnet Width x 667.00 = CF/H	1000 Series	8"
1200 Series	Magnet Width x 749.75 = CF/H	1200 Series	9"
Rare Earth		Rare Earth	
SMR	Magnet Width x 287.50 = CF/H	SMR	3"
SMRX	Magnet Width x 450.00 = CF/H	SMRX	5"

CF/H x 0.02832 = Capacity in Cubic Meters Per Hour

Ceramic Plate Magnet Dimensions

Flush Face	Exposed Pole	Spout Magnet	A	B	C	D	E	F	G	EP Only H	SM Only J	Approx. Wt. Per Inch of Width(W)
FF50	EP50	-	6	4 1/4	1 3/16	1	1 1/16	1 3/4	3 1/2	4	1 1/2	-
FF100	EP100	SM100	8	6 1/4	1 1/16	1	1 1/16	1 3/4	3 1/2	6	2 1/2	3/4
FF200	EP200	SM200	10	8 1/4	1 1/16	1	1 1/16	1 3/4	3 1/2	8	3 1/2	1 1/4
FF300	EP300	SM300	12	10 1/4	2 1/16	1	1 1/16	1 3/4	4 1/2	10	4 1/2	1 1/4
FF500	EP500	SM500	14	12 1/4	4 1/16	1	2 1/16	2 3/4	4 1/2	12	5 1/2	1 1/4
FF800	EP800	SM800	16	13 3/4	6 1/16	1 1/2	**	-	-	13	5 1/2	1 1/4
FF1000	EP1000	SM1000	20	17 1/4	8 1/16	1 1/2	**	-	-	17	7 1/2	1 1/4
FF1200	EP1200	SM1200	26	23 1/4	8 1/16	1 1/2	**	-	-	23	10	1 1/4

For Rare Earth Plate Magnet Dimensions: For weights multiply width(W) by 1.5 for SMR's or 3.4 for SMRX's.

Notes:

- All 500 Series Plate Magnets have four 1/2" mounting holes.
- ** Hinges available on request.
- Plate magnets are accepted by Mill Mutual Insurance