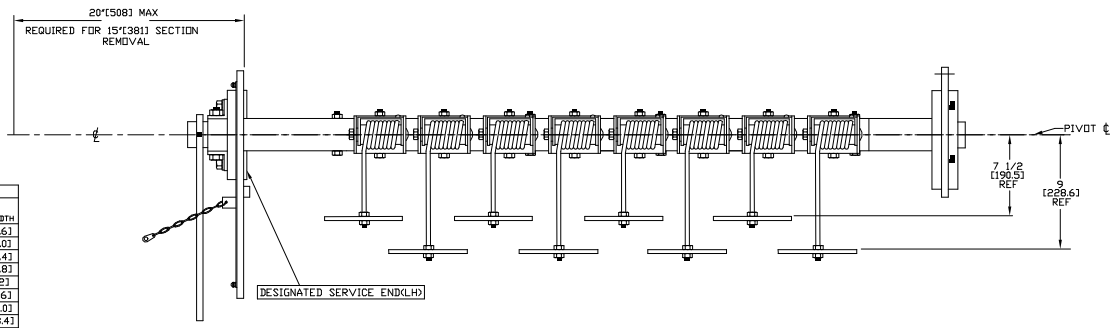
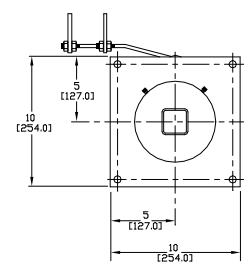
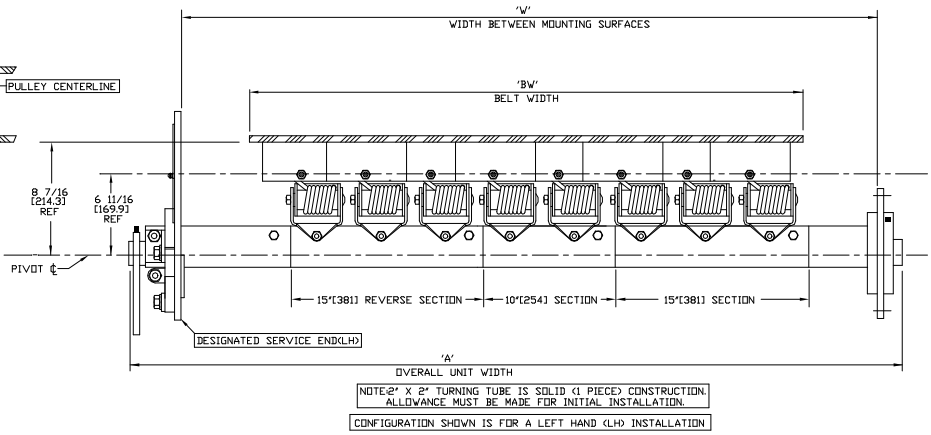
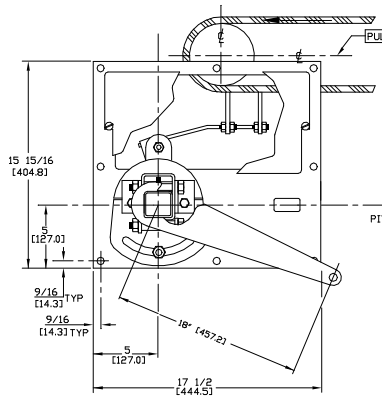


DWG. NO. D-036-0003 SHY REV K

REVISIONS			
REV.	E.C.D. NO.	DESCRIPTION	BY APPR. DATE
I	0179	REDRAWN TO COMPUTER	RM JK 8-9-89
J	0706	ADD METRIC DIM	RM JK 7-31-92
K	0969	ADD 96" BELT SIZE	RM JK 4-25-94



DIMENSION TABLE			
'BW' BELT WIDTH	'W' MAX	'A' MIN	MAX UNIT WIDTH
12 [304.8]	42 [1066.8]	15 [381.0]	54 [1371.6]
18 [457.2]	48 [1219.2]	21 [533.4]	60 [1524.0]
24 [609.6]	54 [1371.6]	27 [685.8]	66 [1676.4]
30 [762.0]	60 [1524.0]	33 [838.2]	72 [1828.8]
36 [914.4]	66 [1676.4]	39 [990.6]	78 [1981.2]
42 [1066.8]	72 [1828.8]	45 [1143.0]	84 [2133.6]
48 [1219.2]	78 [1981.2]	51 [1295.4]	90 [2286.0]
54 [1371.6]	84 [2133.6]	57 [1447.8]	96 [2438.4]
60 [1524.0]	90 [2286.0]	63 [1600.2]	102 [2590.8]
66 [1676.4]	96 [2438.4]	69 [1752.6]	108 [2743.2]
72 [1828.8]	102 [2590.8]	75 [1905.0]	114 [2895.6]
78 [1981.2]	108 [2743.2]	81 [2057.4]	120 [3048.0]
84 [2133.6]	114 [2895.6]	87 [2209.8]	126 [3200.4]
90 [2286.0]	120 [3048.0]	93 [2362.2]	132 [3352.8]
96 [2438.4]	126 [3200.4]	99 [2514.6]	138 [3505.2]



REFER TO DWGS. D-036-0002 & C-036-0015 FOR INSTALLATION INSTRUCTIONS.

NOTE: ALL DIMENSIONS IN [] ARE IN MILLIMETERS

THIS DRAWING IS COMPUTER GENERATED

DWG. NO. D-036-0003	DATE 8-3-82	CONVEYOR COMPONENTS COMPANY
APP'D. JK	DATE 8-5-82	130 SELTZER ROAD, CROSSVILLE, TN 38422
		MODEL RFA-350 CHUTE MOUNT TELESCOPING BELT CLEANER
		DWG. NO. D-036-0003
		REV. K

THIS PRINT IS THE PROPERTY OF CONVEYOR COMPONENTS CO. AND MUST NOT BE USED IN WHOLE OR PART WITHOUT WRITTEN PERMISSION. PLEASE RETURN ON REMARK.

SCALE 1/4"=1"