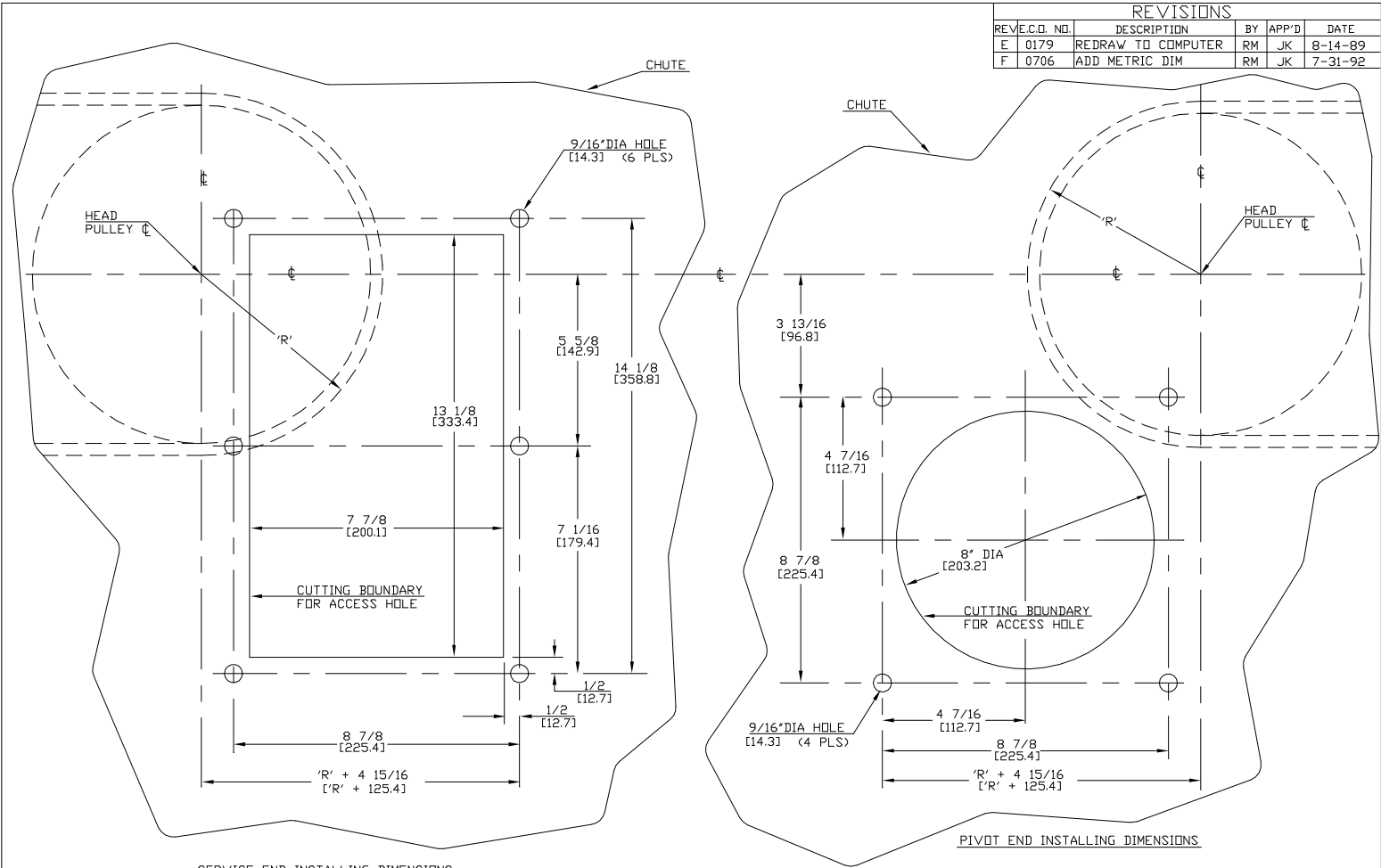


REVISIONS					
REV.	C.O. NO.	DESCRIPTION	BY	APP'D	DATE
E	0179	REDRAW TO COMPUTER	RM	JK	8-14-89
F	0706	ADD METRIC DIM	RM	JK	7-31-92



DWG. NO. C-039-0001
 SHEET REV. F

SERVICE END INSTALLING DIMENSIONS

PIVOT END INSTALLING DIMENSIONS

NOTE: ALL DIMENSIONS IN [] ARE IN MILLIMETERS

USE WITH DWG D-039-0002, D-039-0003

THIS DRAWING IS COMPUTER GENERATED.

DWN RM	DATE 7-28-82	CONVEYOR COMPONENTS COMPANY
CKD CD	DATE 7-29-82	130 SELTZER ROAD, CROSWELL, MI. 48422
APD JK	DATE 9-1-82	MODEL RLP-358 BELT CLEANER
INSTALLATION INSTRUCTIONS		
PART NO.	DWG. NO.	REV
	C-039-0001	F
SCALE HALF		SHT.

THIS PRINT IS THE PROPERTY OF CONVEYOR COMPONENTS CO. AND MUST NOT BE USED IN WHOLE, OR PART WITHOUT WRITTEN PERMISSION. PLEASE RETURN ON DEMAND.