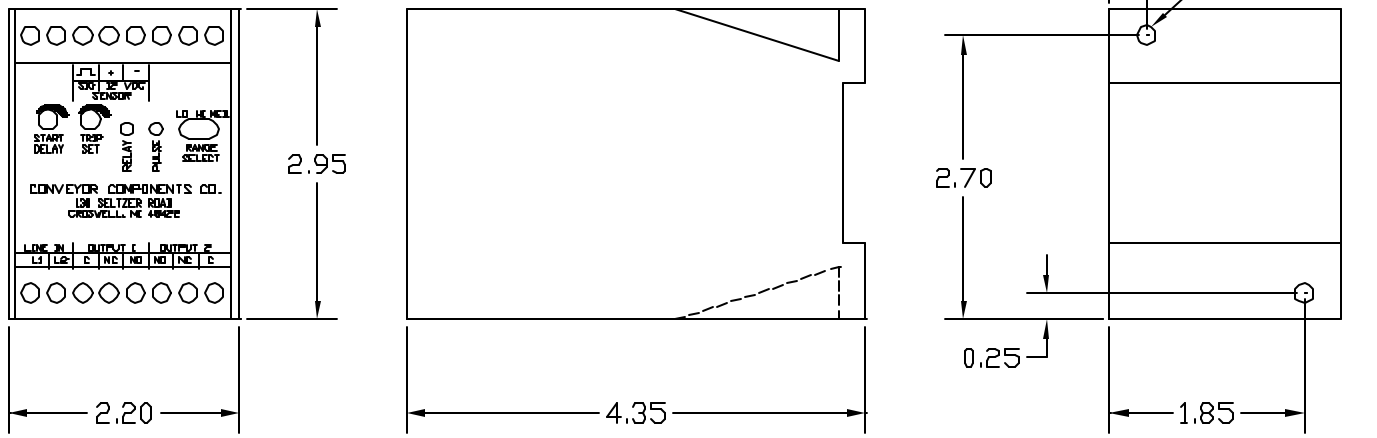


DWG. NO. B0050050 SHT. 1-1 REV. A

REVISIONS				
REV	ECO	DESCRIPTION	DATE	APP'D
A	Z230	CORRECT OUTPUT CONTACT MARKINGS	10/01/03	GL JK



A

THIS DRAWING IS COMPUTER GENERATED.			
DWN JK	DATE 12/16/98	CONVEYOR COMPONENTS CO.	
CKD	DATE	130 SELTZER RD, CROSWELL, MI 48422	
APP JK	DATE 12/16/98	RMS MOUNTING DIMENSIONS	
THIS PRINT IS THE PROPERTY OF CONVEYOR COMPONENTS CO. AND MUST NOT BE USED IN WHOLE, OR PART WITHOUT WRITTEN PERMISSION.		PART NO.	DWG. NO. B0050050
PLEASE RETURN ON DEMAND.		SCALE FULL	SIZE B
		SHT. 1-1	REV. A