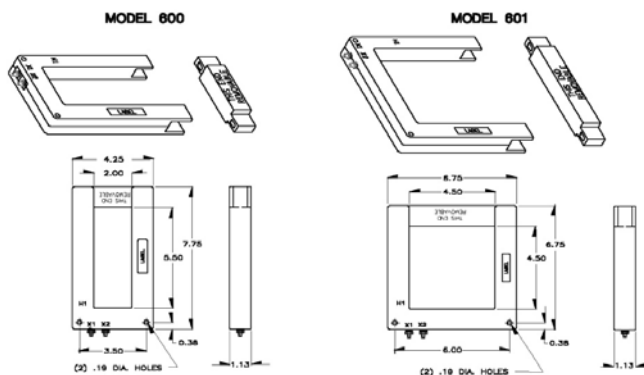


600 & 601 Series



The **600 & 601** Series Split Core Current Transformers are designed for assembly to an existing electrical installation without the need for dismantling the primary bus or cables.

OUTLINE DRAWING



Application

For Energy Management Systems and Instrumentation

Frequency

50-400Hz

Construction

The core and windings are encased in UL approved plastic

Insulation Level

0.6 kV, BIL 10 kV full wave

Continuous Thermal Current Rating

Factor 1.33 at 30° C amb

1.00 at 55° C amb

Terminals

8-32 brass studs with one flatwasher and two regular nuts

Flexible Leads

UL 1015 105° C, CSA approved, #16 AWG, 24" long unless otherwise specified

Approximate Weight

1.5 lbs.

Caution

Proper safety precautions must be followed during installation by a trained electrician. Never install while bus is energized. The current transformer must have its secondary terminals short circuited or the burden connected, before energizing the primary circuit.

Regulatory Agencies



PART NUMBERS

Part Number	Current Ratio	VA at 1% Class	ANSI Metering Class at 60Hz			Part Number	Current Ratio	VA at 1% Class	ANSI Metering Class at 60Hz		
			BO.1	BO.2	BO.5				BO.1	BO.2	BO.5
600-401	400:5A	1.5	2.4		-----	601-401	400:5A	1.0	4.8	-----	-----
600-501	500:5A	2.0	2.4		-----	601-501	500:5A	1.5	4.8	4.8	-----
600-601	600:5A	2.5	2.4	2.4	-----	601-601	600:5A	2.0	2.4	4.8	-----
600-801	800:5A	5.0	1.2	1.2	2.4	601-801	800:5A	2.5	1.2	2.4	4.8
600-102	1000:5A	7.5	1.2	1.2	2.4	601-102	1000:5A	5.0	1.2	1.2	4.8
600-122	1200:5A	15.0	0.6	1.2	1.2	601-122	1200:5A	10.0	1.2	1.2	2.4
600-152	1500:5A	20.0	0.6	0.6	1.2	601-152	1500:5A	15.0	1.2	1.2	1.2
600-162	1600:5A	20.0	0.6	0.6	1.2	601-162	1600:5A	15.0	1.2	1.2	1.2
600-202	2000:5A	30.0	0.6	0.6	0.6	601-202	2000:5A	20.0	0.6	0.6	1.2



Another HUNTINGTON ELECTRIC Company

CR Magnetics, Inc. 3500 Scarlet Oak Blvd. St. Louis MO USA 63122 V: 636-343-8518 F: 636-343-5119

Web: <http://www.crmagnetics.com>

E-mail: sales@crmagnetics.com